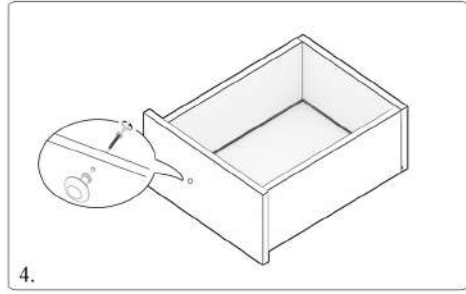
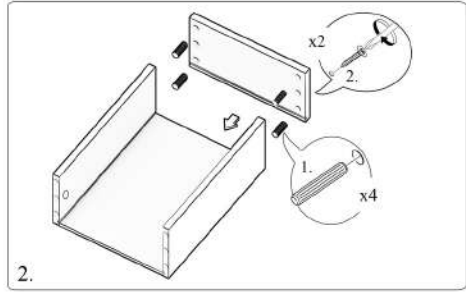
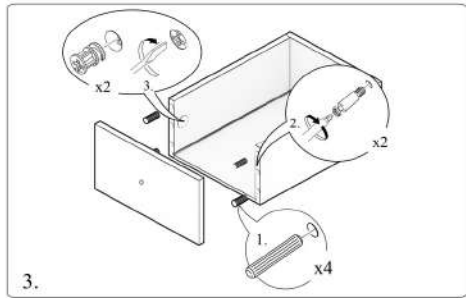
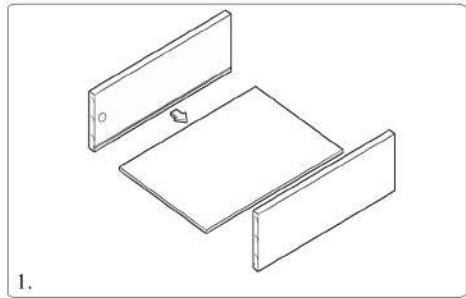
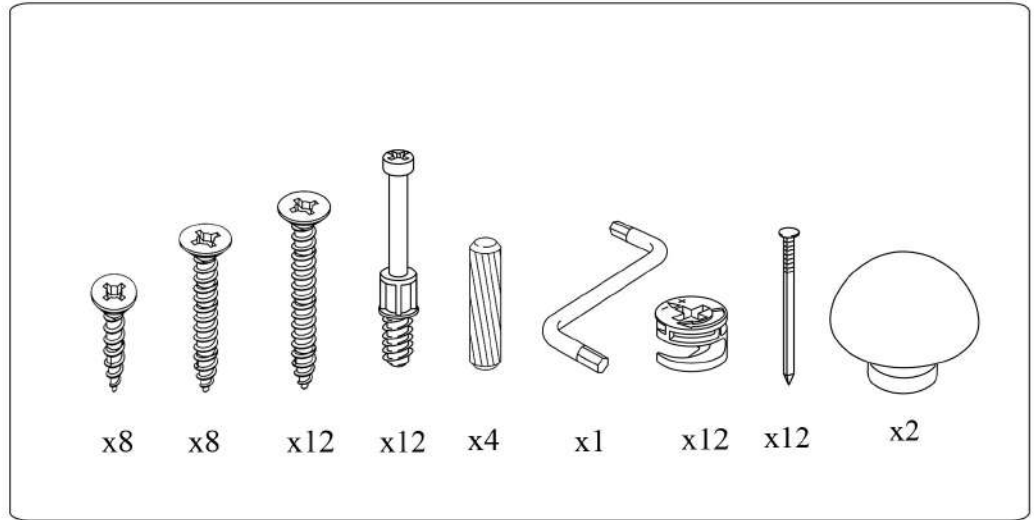
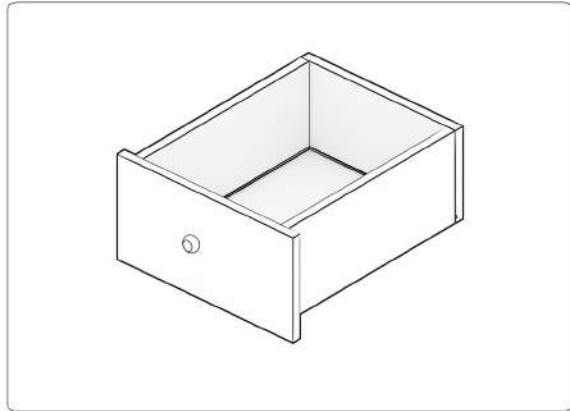


SN 106 S41 W55 G35



5.



