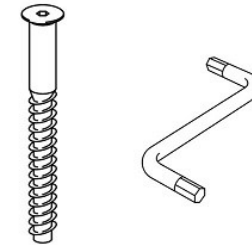
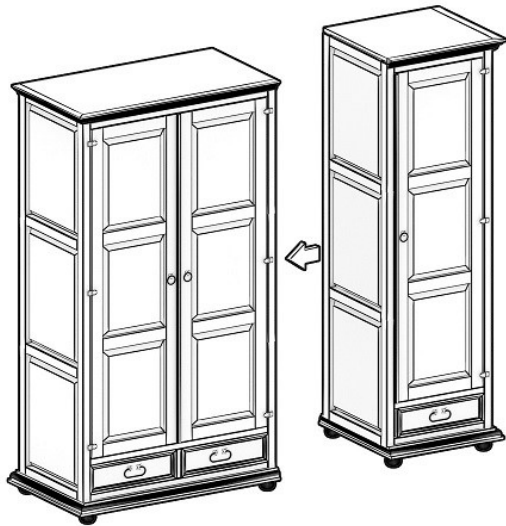
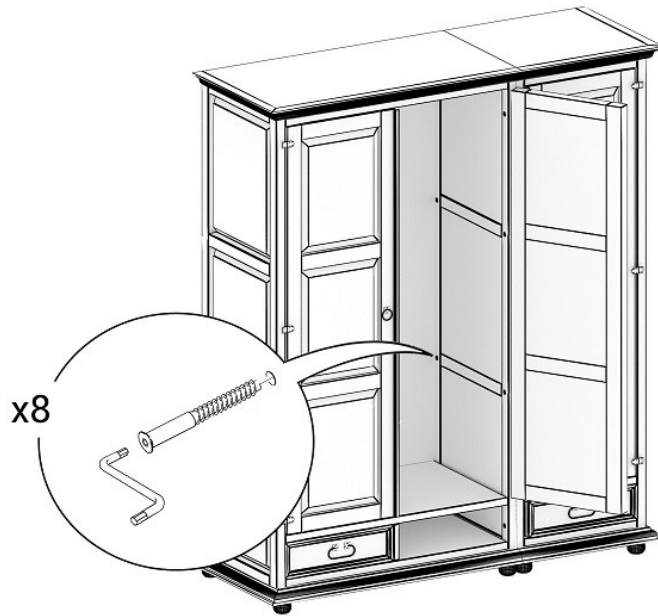


SF702/II



x8

x1



1.

